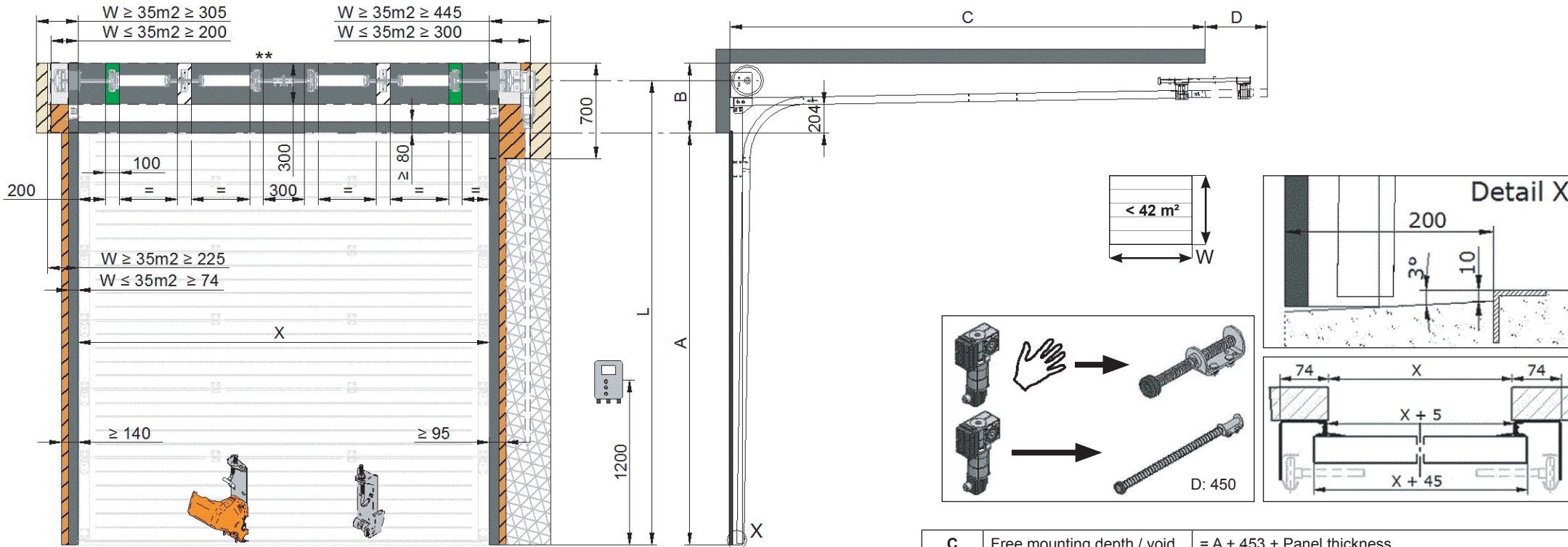


HARDWARE NS

1114

1

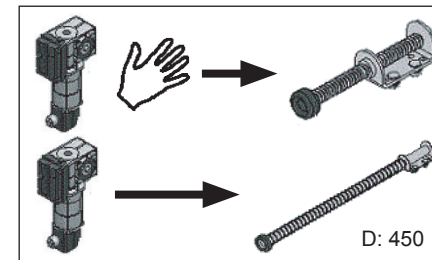
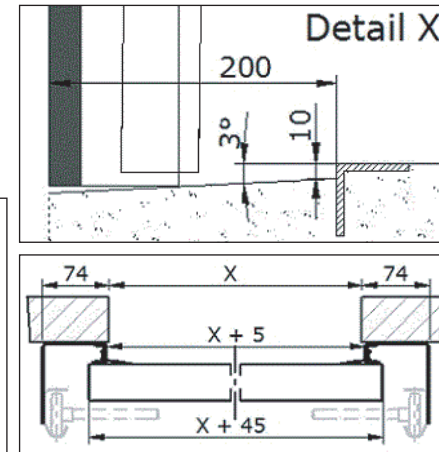
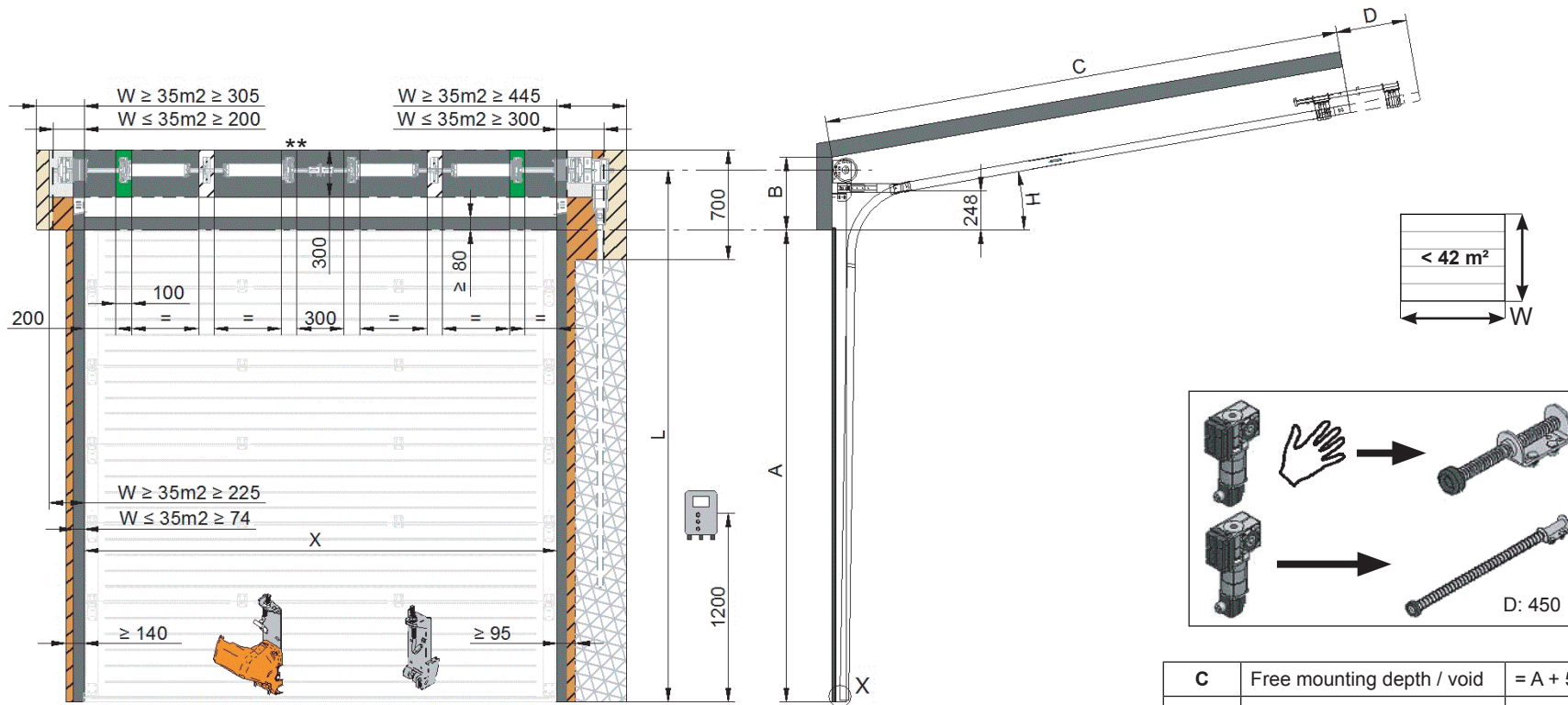


C	Free mounting depth / void	= A + 453 + Panel thickness
W	Door surface	B Free headroom
P	Door weight	L Centre shaft
X	Daylight width	
A	Daylight height	

A	Cabledrum			P	B		L
		Shaft			(40)	(80)	
mm		Inch	mm	kg	mm	mm	mm
≤ 3360	3102	1	Ø 121,6	≤ 295	430	480	A + 340
≤ 5500	3103	1	Ø 152,4	≤ 500	430	480	A + 340
≤ 9750	3104	1	Ø 228,6	≤ 850	510	510	A + 380
≤ 9750	3105*	1¼	Ø 228,6	≤ 850	510	510	A + 380
* 1¼ inch shaft door surface ≥ 28 m²							

** Option ① Option ②

- X > 4750 mm
- Necessary mounting surface
- + X > 6000 mm
- Extra mounting surface W ≥ 35m2
- Free room for industrial motor / cablebreak device / adjustable bottom consoles
- Extra sideroom W ≥ 35m2
- Free room when chain



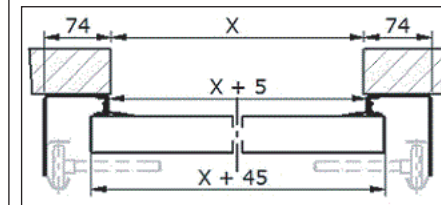
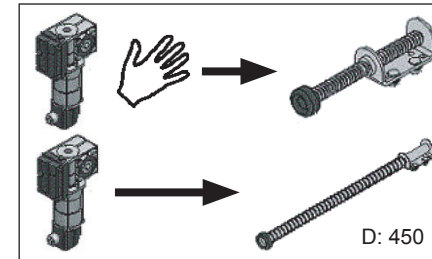
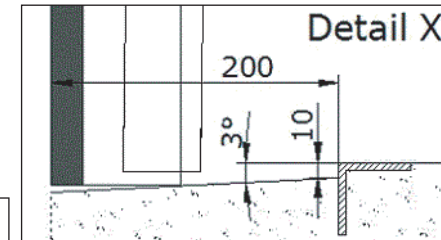
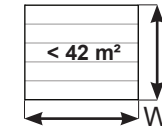
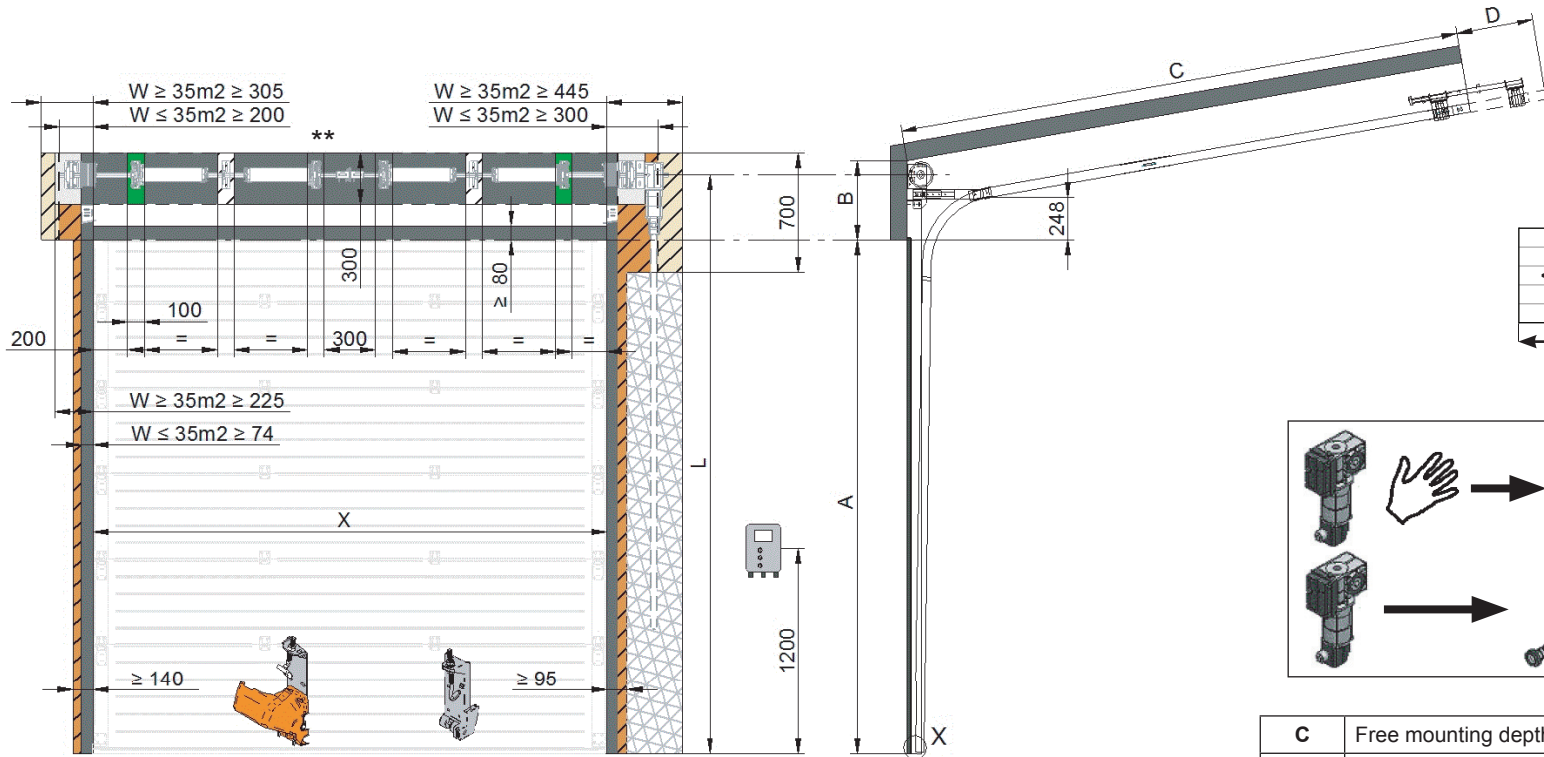
C	Free mounting depth / void	= A + 573 + panel thickness
W	Door surface	B Free headroom
P	Door weight	L Centre shaft
X	Daylight width	
A	Daylight height	

**Option ① Option ②

- X > 4750 mm
- Necessary mounting surface
- + X > 6000 mm
- Extra mounting surface W ≥ 35m²
- Free room for industrial motor / cablebreak device / adjustable bottom consoles
- Free room when chain
- Extra sideroom W ≥ 35m²

A	Cabledrum			P	B			L		
	Shaft	mm	kg		H = 5-10°	H = 11-39°		H = 5-10°	H = 11-39°	
					mm	(40)	(80)	mm	(40)	(80)
mm	Inch	mm	kg	mm	mm	mm	mm	mm	mm	mm
≤ 3360	3102	1	Ø 121,6	≤ 295	430	470	510	A + 340	A + 380	A + 420
≤ 5500	3103	1	Ø 152,4	≤ 500	430	470	510	A + 340	A + 380	A + 420
≤ 9750	3104	1	Ø 228,6	≤ 850	510	550	590	A + 380	A + 420	A + 460
≤ 9750	3105*	1¼	Ø 228,6	≤ 850	510	550	590	A + 380	A + 420	A + 460

* 1¼ inch shaft door surface ≥ 28 m²

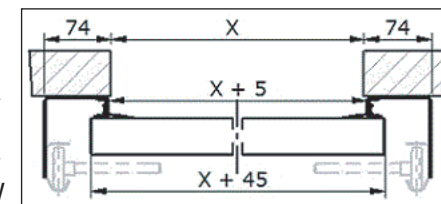
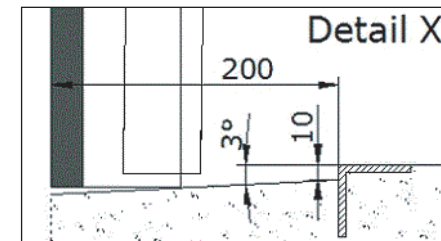
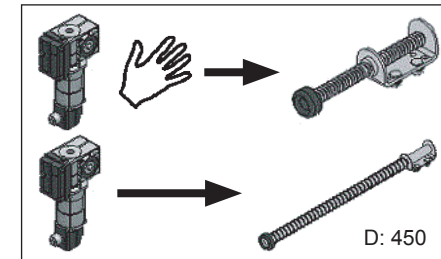
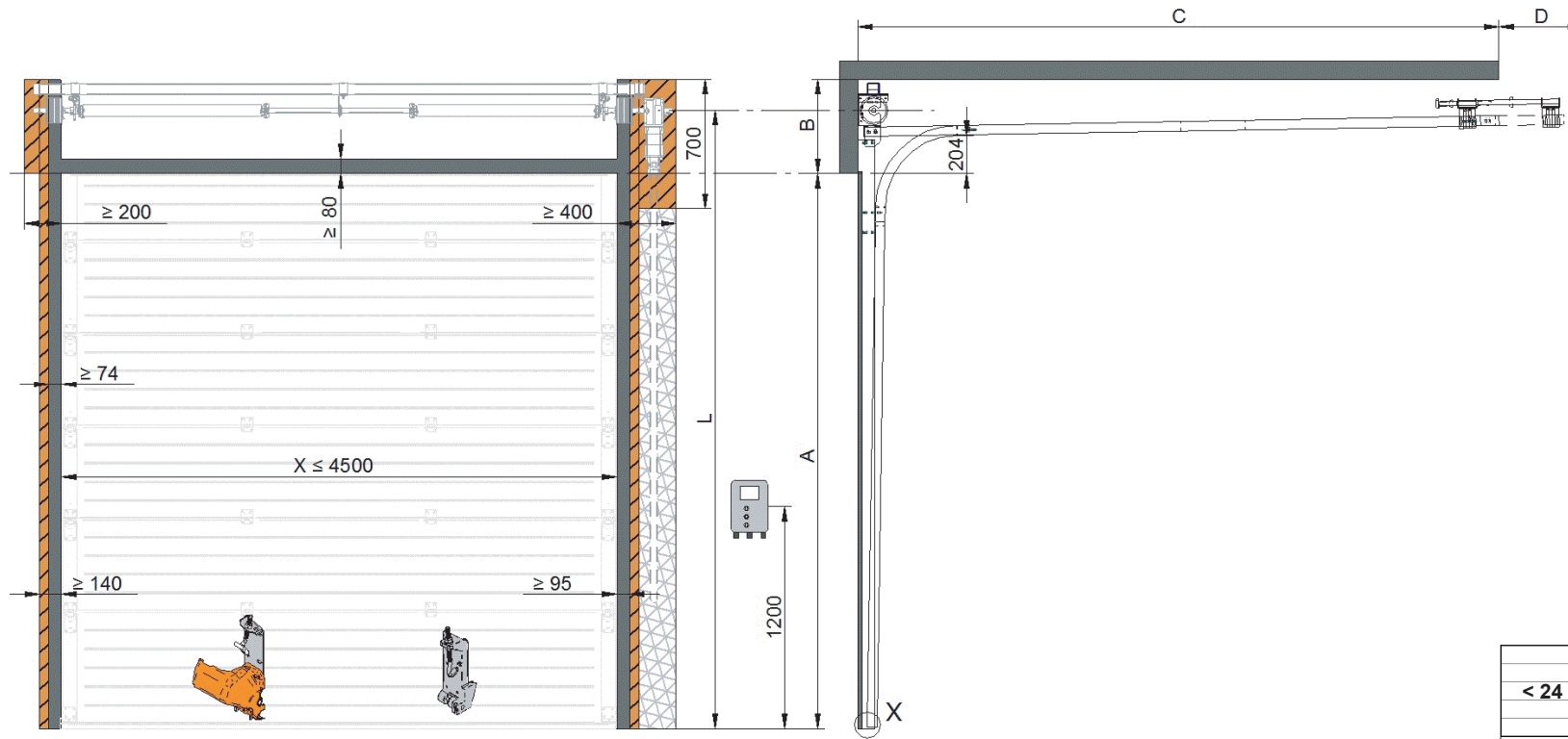


C	Free mounting depth / void	= A + 573 + panel thickness
W	Door surface	B Free headroom
P	Door weight	L Centre shaft
X	Daylight width	
A	Daylight height	

**Option ① Option ②

- X > 4750 mm
- Necessary mounting surface
- + X > 6000 mm
- Extra mounting surface W ≥ 35m2
- Free room for industrial motor / cablebreak device / adjustable bottom consoles
- Free room when chain
- Extra sideroom W ≥ 35m2

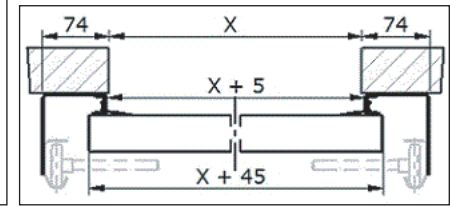
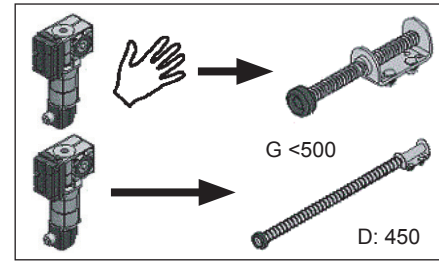
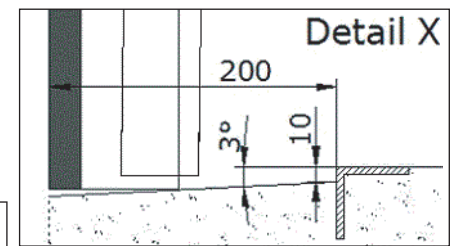
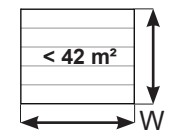
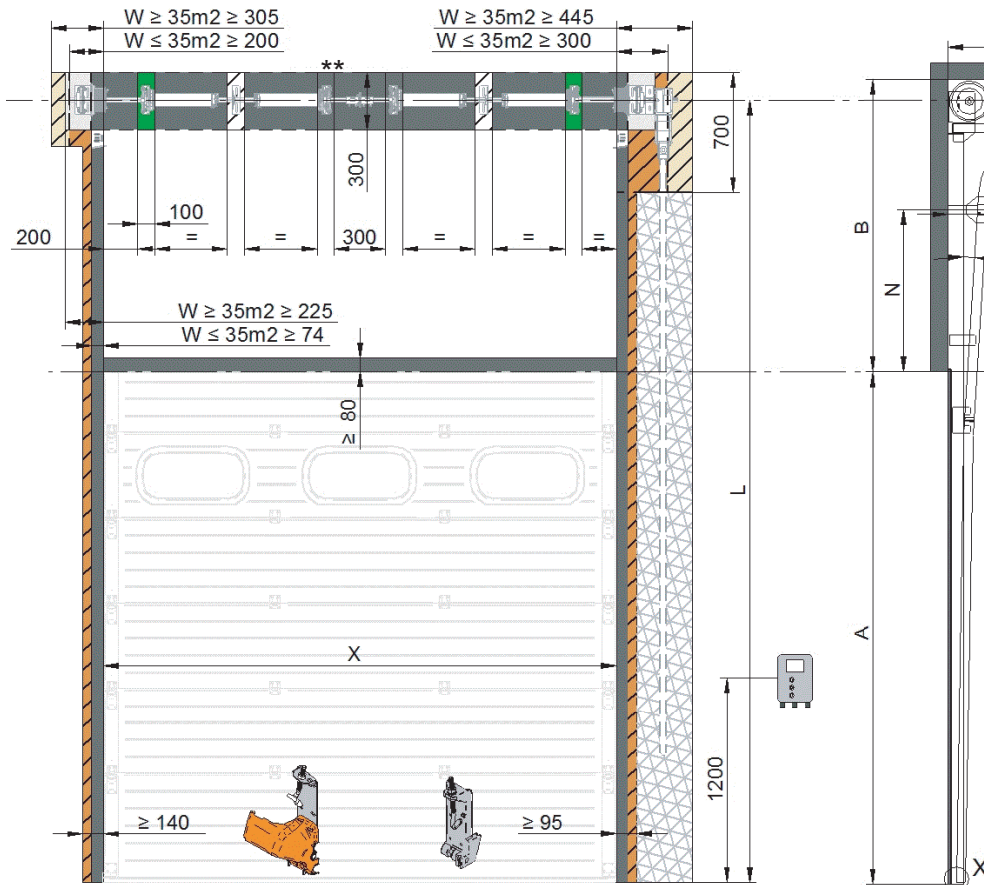
A	Cabledrum			P	B		L	
	Shaft				(40)	(80)	(40)	(80)
mm	Inch	mm	kg	mm	mm	mm	mm	
≤ 3300	3115	1	Ø 214,0	≤ 295	510	550	A + 420	A + 460
≤ 5500	3116	1	Ø 276,2	≤ 500	540	580	A + 445	A + 485
≤ 8500	3118	1	Ø 341,5	≤ 850	560	600	A + 465	A + 505
≤ 8500	3119*	1¼	Ø 341,5	≤ 850	560	600	A + 465	A + 505
* 1¼ inch shaft door surface ≥ 28 m²								



C	Free mounting depth / void	= A + 453 + panel thickness
B	Free headroom	L Centre shaft
P	Door weight	
X	Daylight width	
A	Daylight height	

- Free room when chain
- Necessary mounting surface
- Free room for industrial motor / cablebreak device / adjustable bottom consoles

A	Cabledrum			P	B	L
		Shaft				
mm		Inch	mm	kg	mm	mm
≤ 3360	3102	1	$\varnothing 121,6$	≤ 295	510	A + 341
≤ 5500	3103	1	$\varnothing 152,4$	≤ 500	510	A + 341

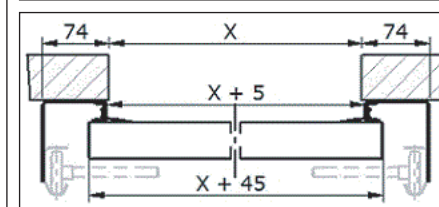
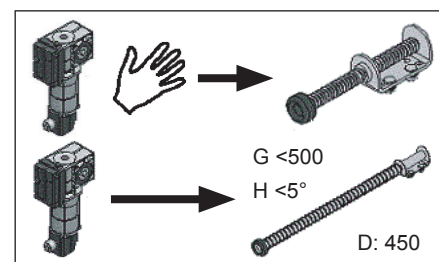
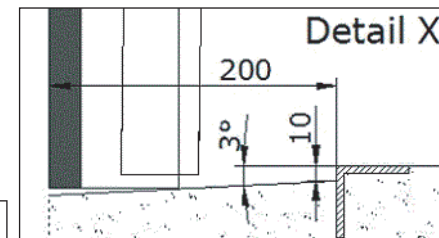
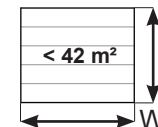
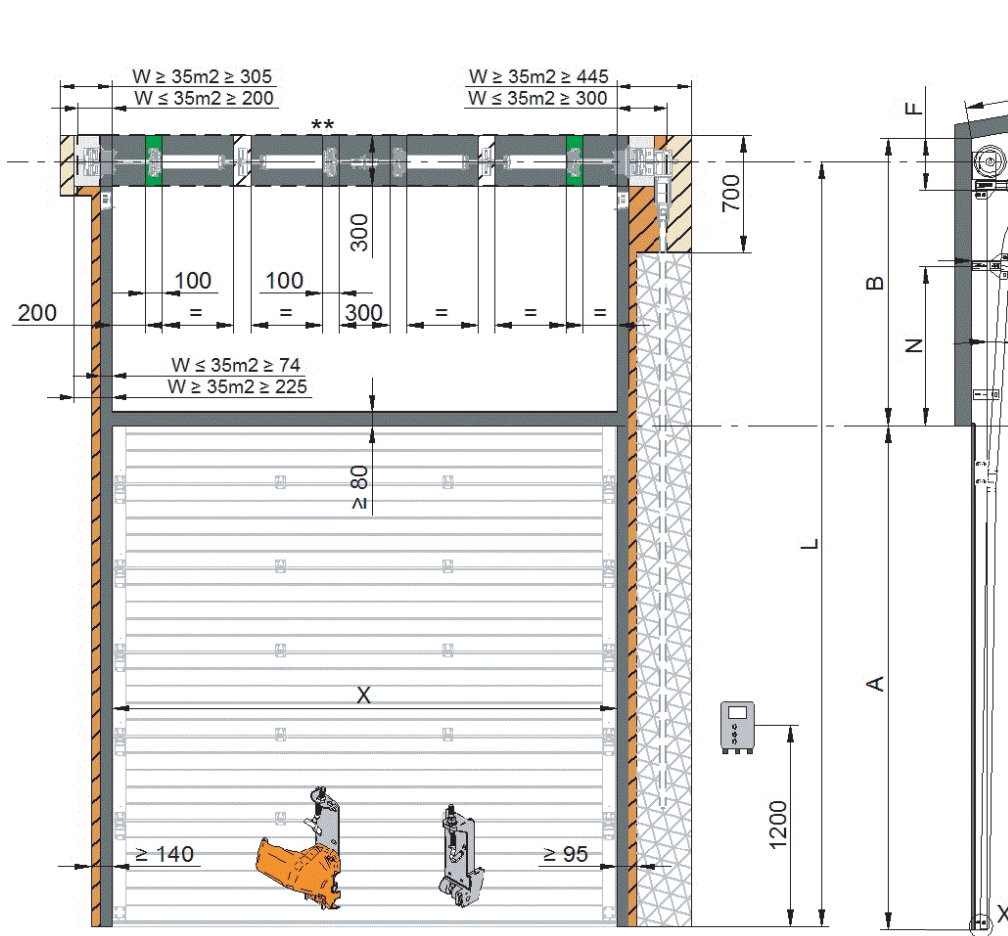


C	Free mounting depth / void	= A - G + M + 587
G	High lift	= B - F
F	Door room	
M	Panel thickness + 53 + (0,06 x G)	P Door weight
N	G - 453	X Daylight width
W	Door surface	A Daylight height
B	Free headroom	L Centre shaft

**Option ① Option ②

- X > 4750 mm
- Necessary mounting surface
- + X > 6000 mm
- Extra mounting surface W ≥ 35m2
- Free room for industrial motor / cablebreak device / adjustable bottom consoles
- Free room when chain
- Extra sideroom W ≥ 35m2

A	Cabledrum				P	F	L
			Shaft				
mm		mm	Inch	mm	kg	mm	mm
≤ 4800	3108	G ≤ 1370	1	Ø 190,5	≤ 454	270	A + G + 170
≤ 5050	3109	G ≤ 3050	1	Ø 234,2	≤ 454	310	A + G + 185
≤ 6000	3110	G ≤ 4100	1	Ø 279,4	≤ 725	360	A + G + 210
≤ 6000	3111*	G ≤ 4100	1¼	Ø 279,4	≤ 725	360	A + G + 210
* 1¼ inch shaft door surface ≥ 28 m ²							



C	Free mounting depth / void	$= A - G + M + 857$
G	High lift	$= B - F$
F	Door room	
M	Panel thickness + 53 + (0,06 x G)	P Door weight
N	$G - 453$	X Daylight width
W	Door surface	A Daylight height
B	Free headroom	L Centre shaft

**Option ① Option ②

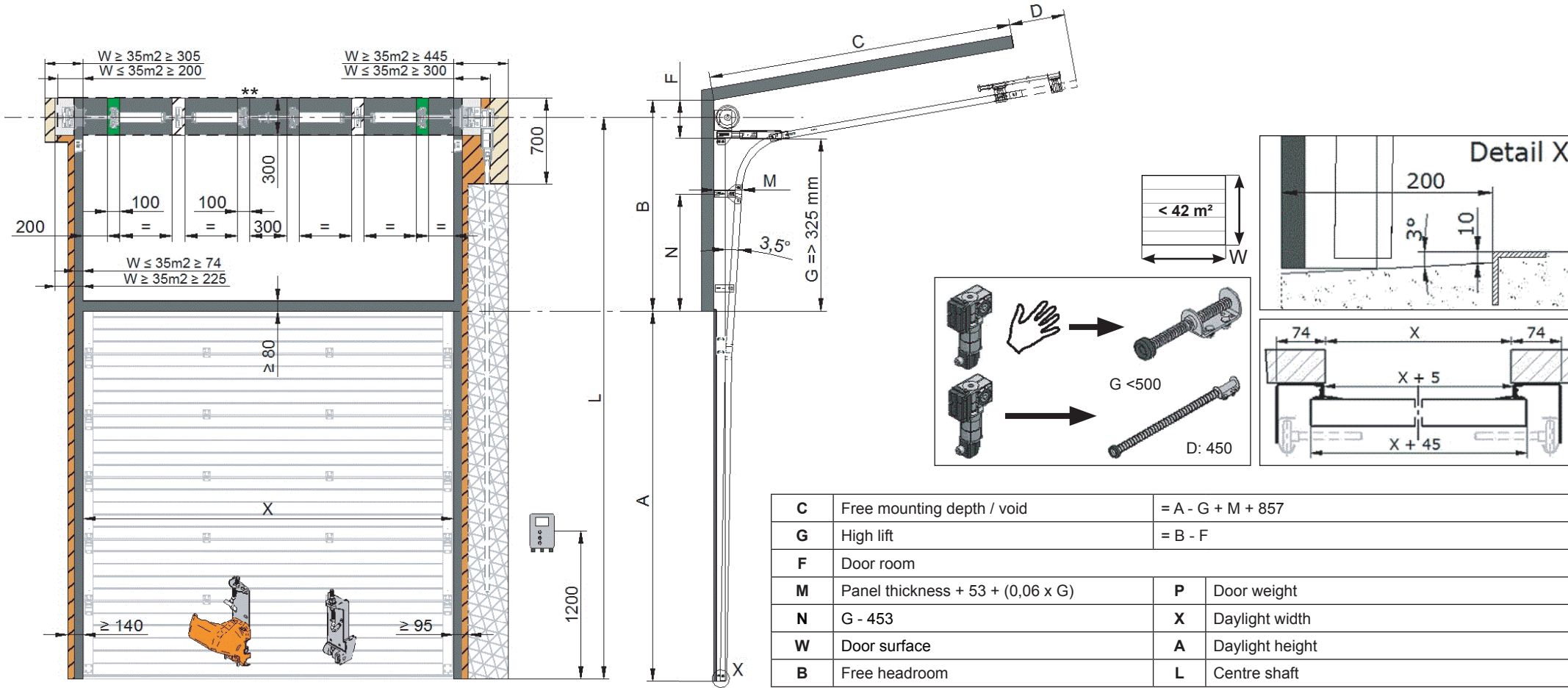
- $X > 4750$ mm
- Necessary mounting surface
- + $X > 6000$ mm
- Extra mounting surface $W \geq 35m^2$
- Free room for industrial motor / cablebreak device / adjustable bottom consoles
- Free room when chain
- Extra sideroom $W \geq 35m^2$

A	Cabledrum				P	F	L
			Shaft				
mm		mm	Inch	mm	kg	mm	mm
≤ 4800	3108	$G \leq 1370$	1	$\varnothing 190,5$	≤ 454	260	$A + G + 170$
≤ 5050	3109	$G \leq 3050$	1	$\varnothing 234,2$	≤ 454	280	$A + G + 185$
≤ 6000	3110	$G \leq 4100$	1	$\varnothing 279,4$	≤ 725	310	$A + G + 210$
≤ 6000	3111*	$G \leq 4100$	1¼	$\varnothing 279,4$	≤ 725	310	$A + G + 210$
* 1¼ inch shaft door surface $\geq 28 m^2$							

HARDWARE HS FTR 40-44°

1114

7

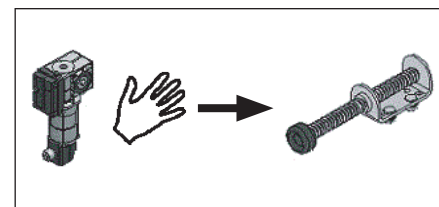
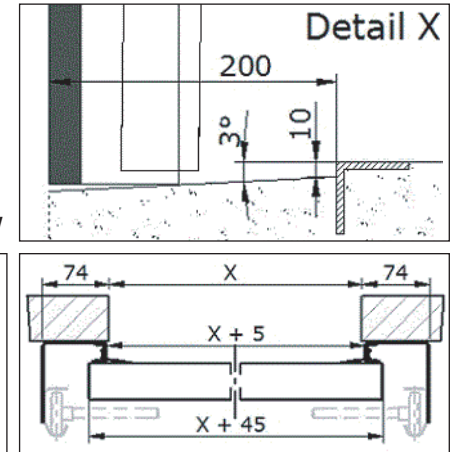
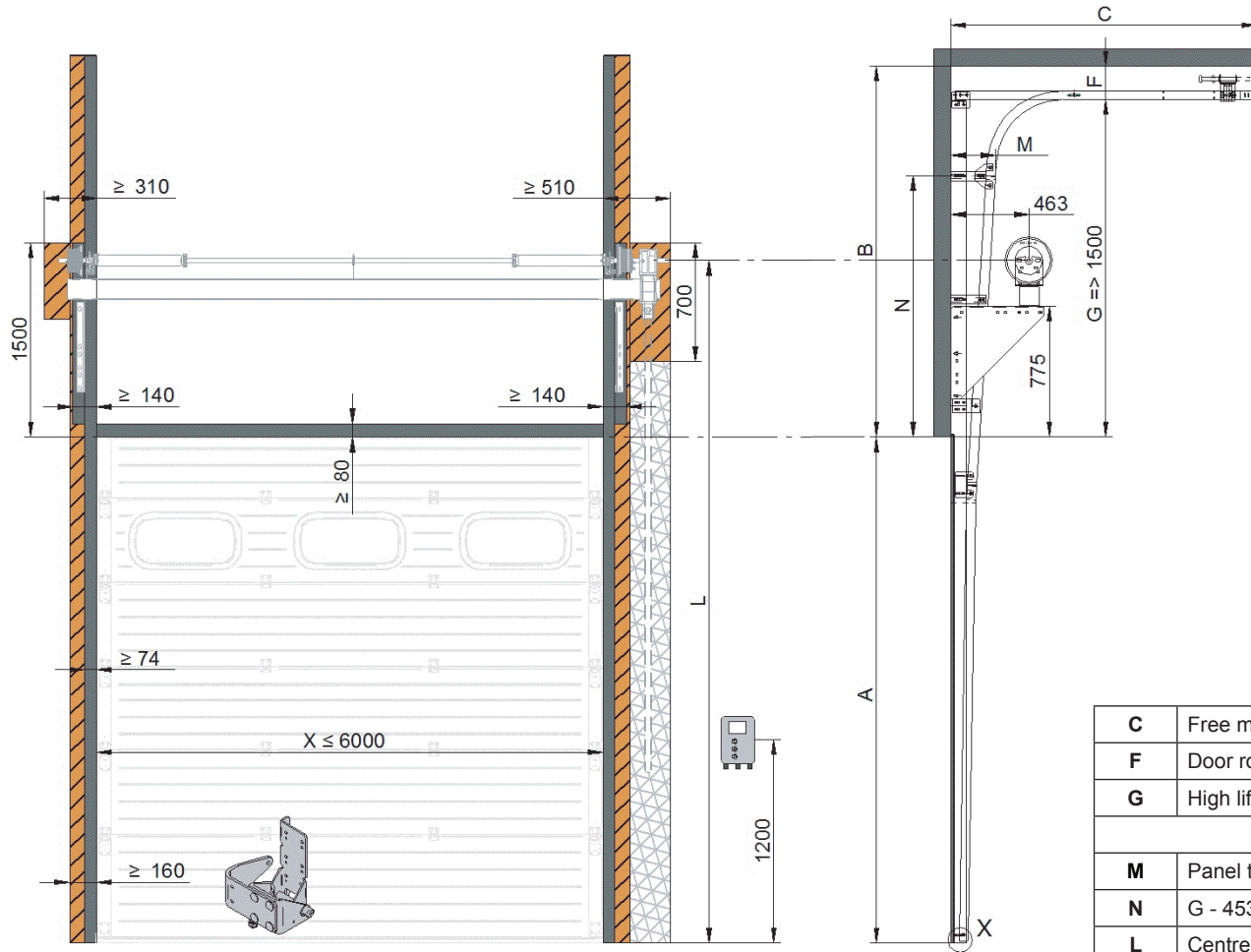


C	Free mounting depth / void	= A - G + M + 857
G	High lift	= B - F
F	Door room	
M	Panel thickness + 53 + (0,06 x G)	P Door weight
N	G - 453	X Daylight width
W	Door surface	A Daylight height
B	Free headroom	L Centre shaft

A	Cabledrum			P	F	L
	mm	Inch	mm			
≤ 3300	3115	1	Ø 214,0	≤ 386	280	A + G + 185
≤ 5500	3116	1	Ø 276,2	≤ 500	310	A + G + 210
≤ 5500	3117*	1¼	Ø 276,2	≤ 500	310	A + G + 210
≤ 8500	3118	1	Ø 341,5	≤ 850	330	A + G + 230
≤ 8500	3119*	1¼	Ø 341,5	≤ 850	330	A + G + 230
*		1¼ inch shaft door surface ≥ 28 m²				

**Option ① Option ②

- X > 4750 mm
- Necessary mounting surface
- + X > 6000 mm
- Extra mounting surface W ≥ 35m²
- Free room for industrial motor / cablebreak device / adjustable bottom consoles
- Free room when chain
- Extra sideroom W ≥ 35m²



C	Free mounting depth / void	= A - G + M + 587
F	Door room	= Panel thickness + 160
G	High lift	= B - F
	B	Free headroom
M	Panel thickness + 106 + (0,06 x G)	P Door weight
N	G - 453	X Daylight width
L	Centre shaft	A Daylight height

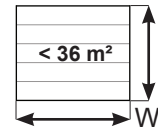
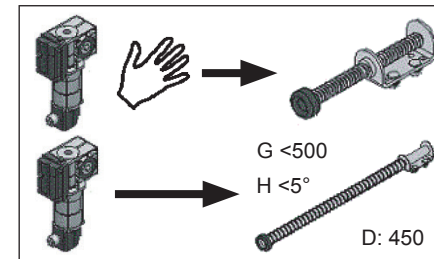
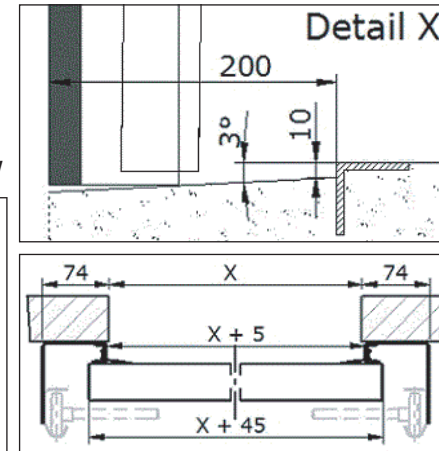
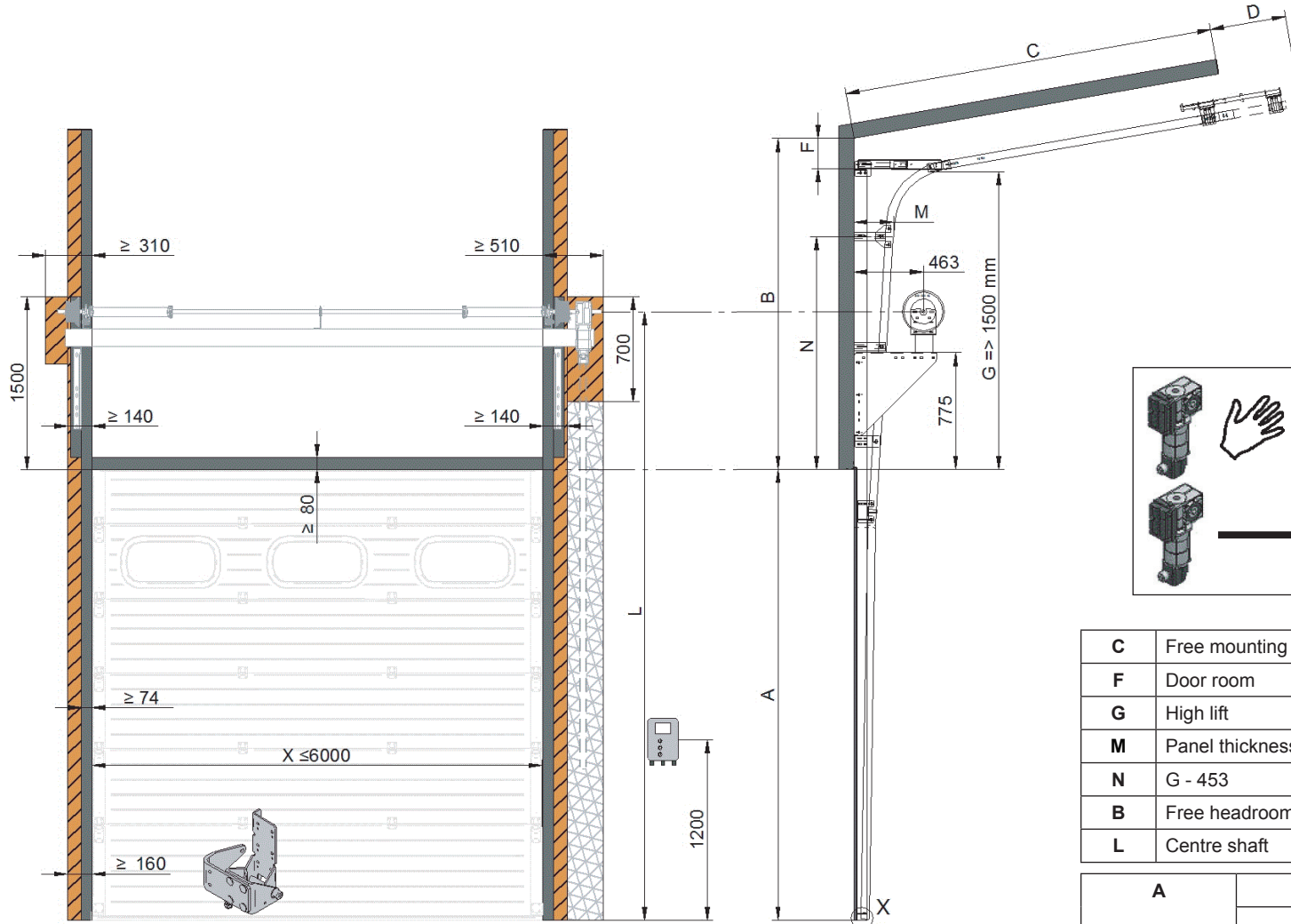
A	Cabledrum				P	L	G
			Shaft				
mm		mm	Inch	mm	kg	mm	mm
≤ 4800	3109	G ≤ 3050	1	Ø 234,2	≤ 454	A + 1000	≤ 2000
≤ 6000	3110	G ≤ 4100	1	Ø 279,4	≤ 725	A + 1030	≤ 3000
- Tube / shaft length = daylight width + 600							

- Free room when chain
- Necessary mounting surface
- Free room for industrial motor / cablebreak device / adjustable bottom consoles

HARDWARE HSK FTR 1-44°

1114

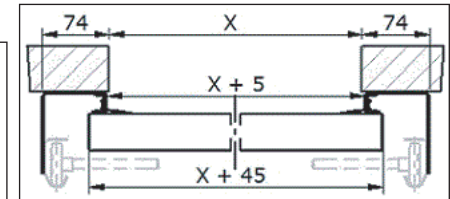
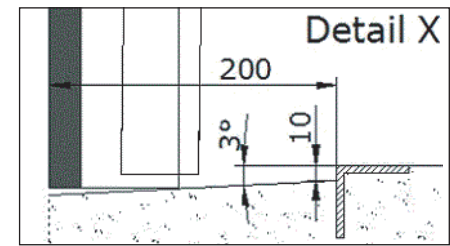
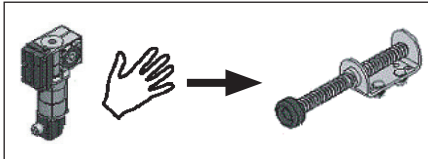
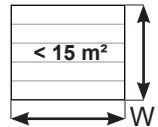
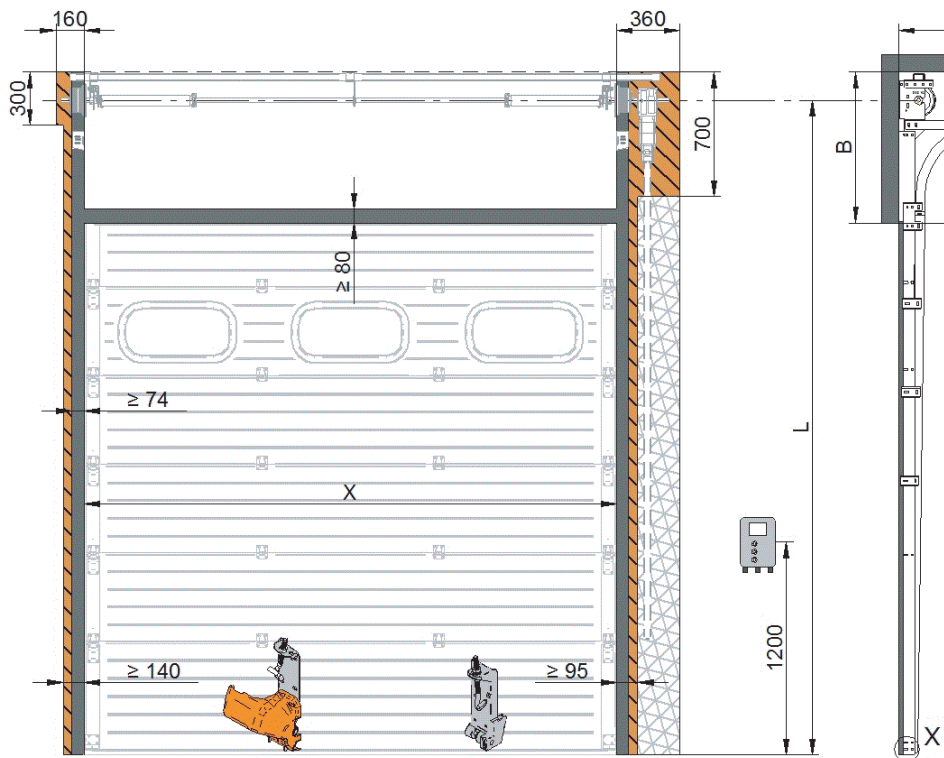
9



- Free room when chain
- Necessary mounting surface
- Free room for industrial motor / cablebreak device / adjustable bottom consoles

C	Free mounting depth / void	= A - G + M + 857
F	Door room	= Panel thickness + 160
G	High lift	= B - F
M	Panel thickness + 106 + (0,06 x G)	P Door weight
N	G - 453	X Daylight width
B	Free headroom	A Daylight height
L	Centre shaft	

A	Cabledrum				P	L
		mm	Inch	mm		
mm					kg	mm
≤ 4800	3109	G ≤ 3050	1	Ø 234,2	≤ 454	A + 1000
≤ 6000	3110	G ≤ 4100	1	Ø 279,4	≤ 725	A + 1030
≤ 6000	3111*	G ≤ 4100	1¼	Ø 279,4	≤ 725	A + 1030
	* 1¼ inch shaft door surface ≥ 28 m²					
	- Tube / shaft length = daylight width + 600					

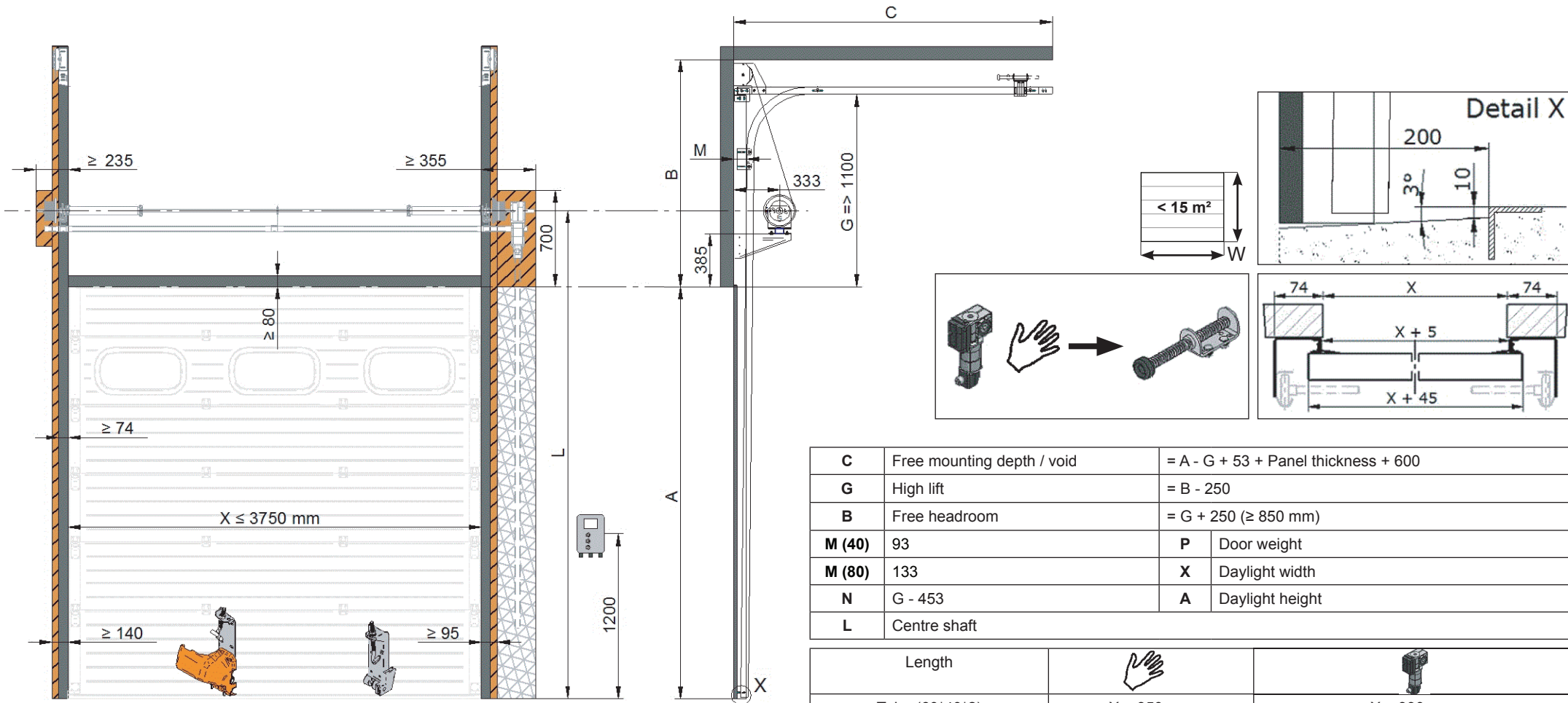


C	Free mounting depth / void	= A - G + 53 + Panel thickness + 600
G	High lift	= B - 325
B	Free headroom	= G + 325 (≥ 850 mm)
P	Door weight	
X	Daylight width	
A	Daylight height	
L	Centre shaft	

Length		
Tube (60*40*2)	X + 350 mm	X + 390 mm
Shaft	X + 450 mm	X + 570 mm

- Free room when chain
- Necessary mounting surface
- Free room for industrial motor / cablebreak device / adjustable bottom consoles

A	Cabledrum				P	L
			Shaft			
mm		mm	Inch		kg	mm
≤ 3750	3108	G ≤ 1370	1	Ø 190,5	≤ 300	A + G + 166

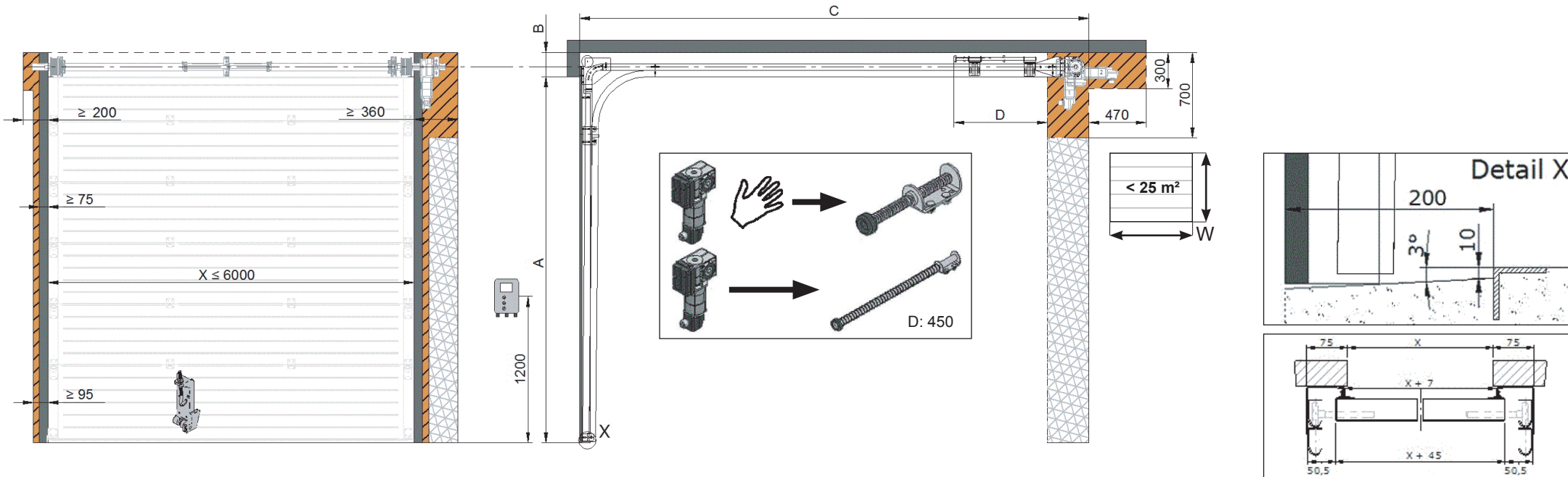


C	Free mounting depth / void	= A - G + 53 + Panel thickness + 600	
G	High lift	= B - 250	
B	Free headroom	= G + 250 (≥ 850 mm)	
M (40)	93	P	Door weight
M (80)	133	X	Daylight width
N	G - 453	A	Daylight height
L	Centre shaft		

Length		
Tube (60*40*2)	X + 350 mm	X + 390 mm
Shaft	X + 450 mm	X + 570 mm

- Free room when chain
- Necessary mounting surface
- Free room for industrial motor / cablebreak device / adjustable bottom consoles

A	Cabledrum				P	L
			Shaft			
mm		mm	Inch		kg	mm
≤ 3750	3108	G ≤ 1370	1	Ø 190,5	≤ 300	A + 535
≤ 3750	3109	G ≤ 3050	1	Ø 234,2	≤ 300	A + 550

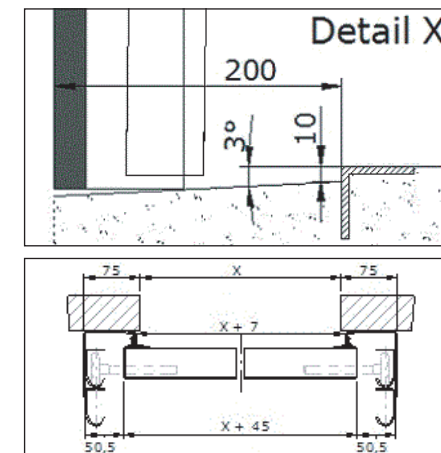
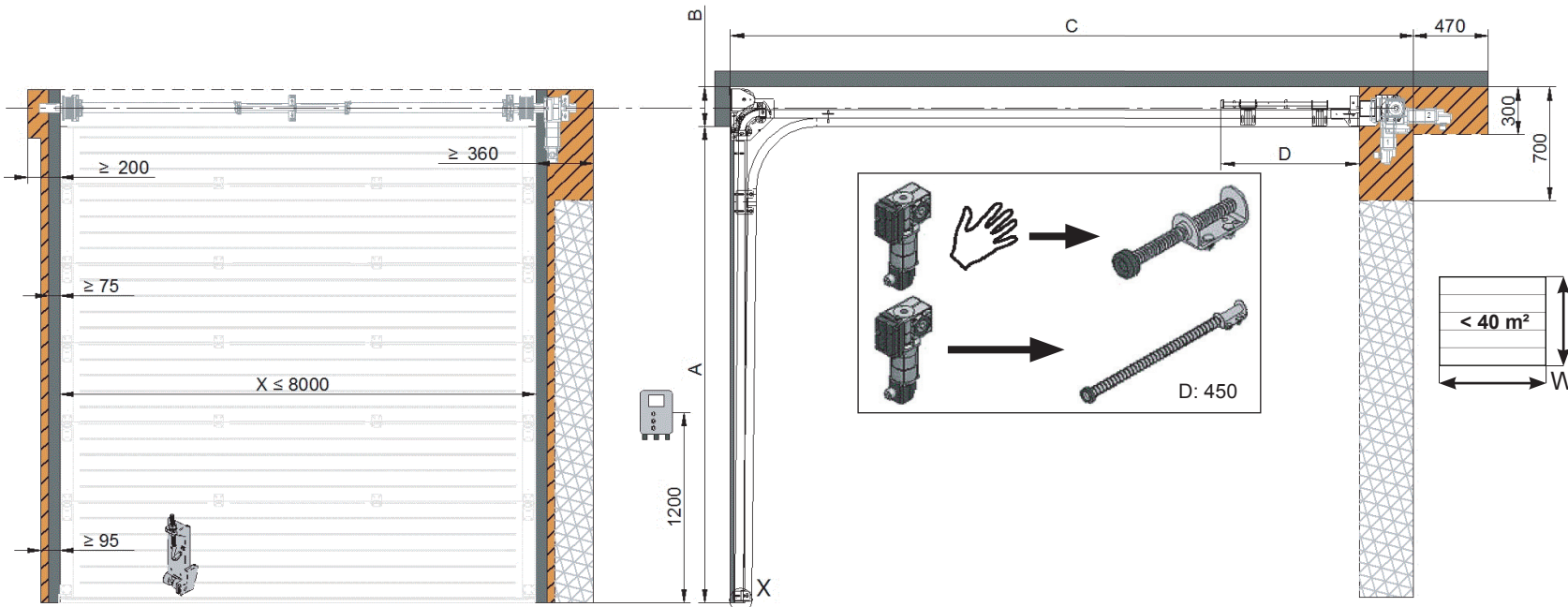


- Free room when chain
- Necessary mounting surface
- Free room for industrial motor / cablebreak device / adjustable bottom consoles

A	Cabledrum			P
		Shaft		
mm		mm	Inch	kg
≤ 3360	3102	$\text{Ø } 121,6$	1	≤ 295
≤ 5500	3103	$\text{Ø } 152,4$	1	≤ 500

C	Free mounting depth / void	= $A + 840 + D + \text{Panel thickness}$
B	Free headroom	= ≥ 200 mm
P	Door weight	= ≤ 300 kg
X	Daylight width	
A	Daylight height	

Daylight width: ≤ 5999 mm (≥ 4500 mm extra ceiling connection)
 Passdoor daylight width: ≥ 5001 mm in centre / max. 5999 mm
 Solid shaft when DLW: ≥ 4501 mm



A	Cabledrum			P
			Shaft	
mm		mm	Inch	kg
≤ 3360	3102	Ø 121,6	1	≤ 295
≤ 5500	3103	Ø 152,4	1	≤ 500
≤ 9750	3104	Ø 228,6	1	≤ 850
≤ 9750	3105*	Ø 228,6	1¼	≤ 850

C	Free mounting depth / void	= A + 980 + D + Panel thickness
B	Free headroom	= ≥ 250 mm
P	Door weight	= ≤ 500 kg
X	Daylight width	
A	Daylight height	

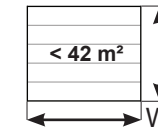
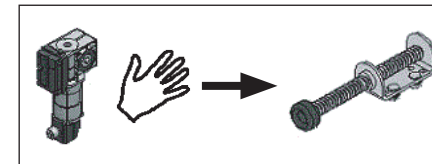
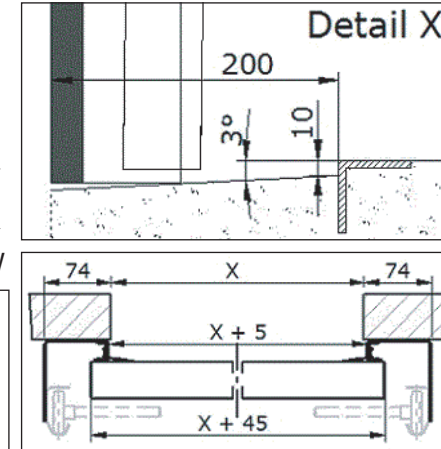
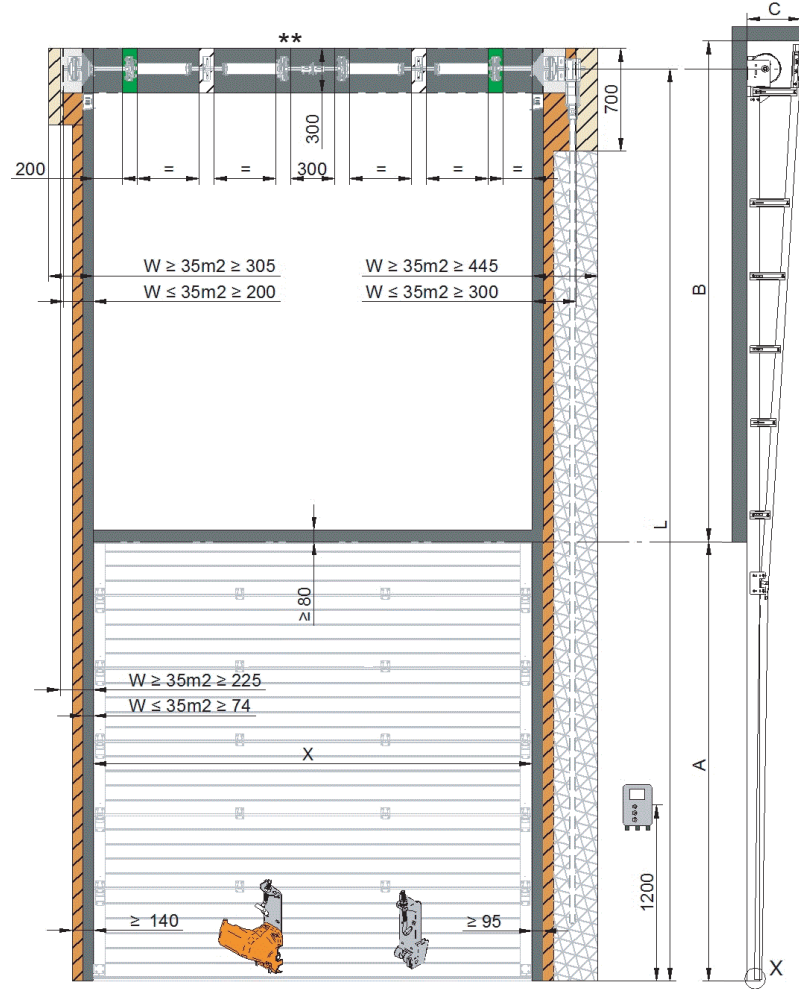
- Free room when chain
- Necessary mounting surface
- Free room for industrial motor / cablebreak device / adjustable bottom consoles

* 1¼ inch shaft door surface ≥ 28 m²

Daylight width: ≤ 7999mm (≥ 4500mm extra ceiling connection)

Passdoor daylight width: ≥ 5001mm in centre / max. 5999mm

Solid shaft when DLW: ≥ 4501mm

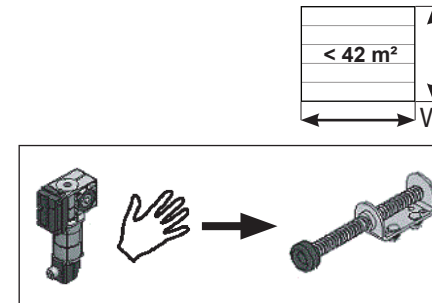
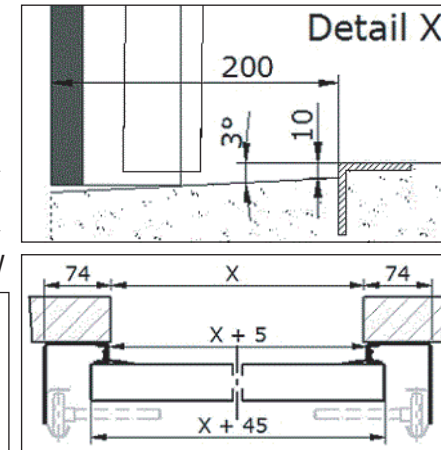
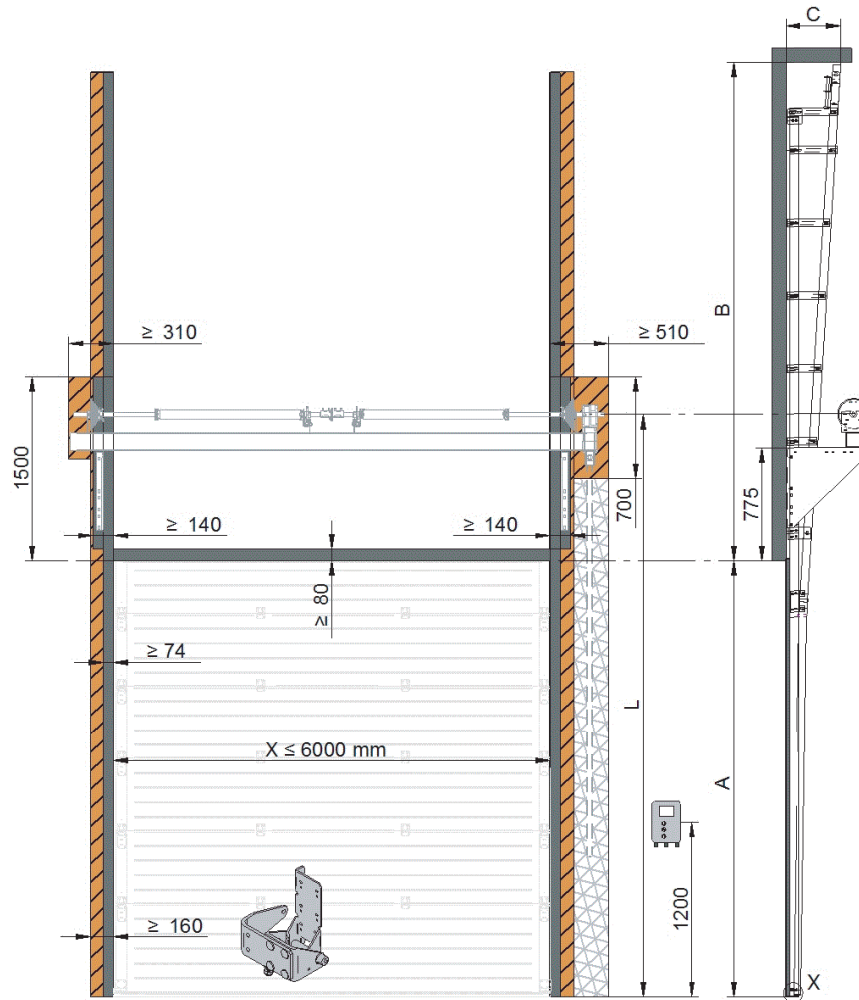


**Option ① Option ②

- $X > 4750 \text{ mm}$
- $X > 6000 \text{ mm}$
- Free room for industrial motor / cablebreak device / adjustable bottom consoles
- Extra sideroom $W \geq 35\text{m}^2$
- Necessary mounting surface
- Extra mounting surface $W \geq 35\text{m}^2$
- Free room when chain

C	Free mounting depth / void	= Panel thickness + 173 + (0,06 x A)
P	Door weight	
W	Door surface	
X	Daylight width	
A	Daylight height	
B	Free headroom	
L	Centre shaft	

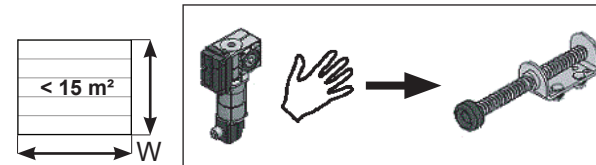
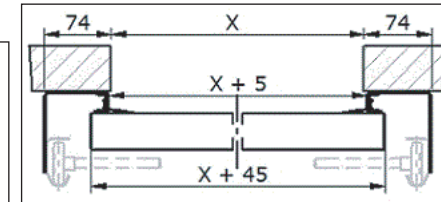
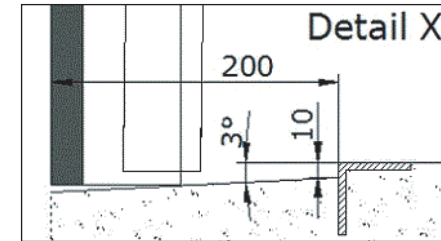
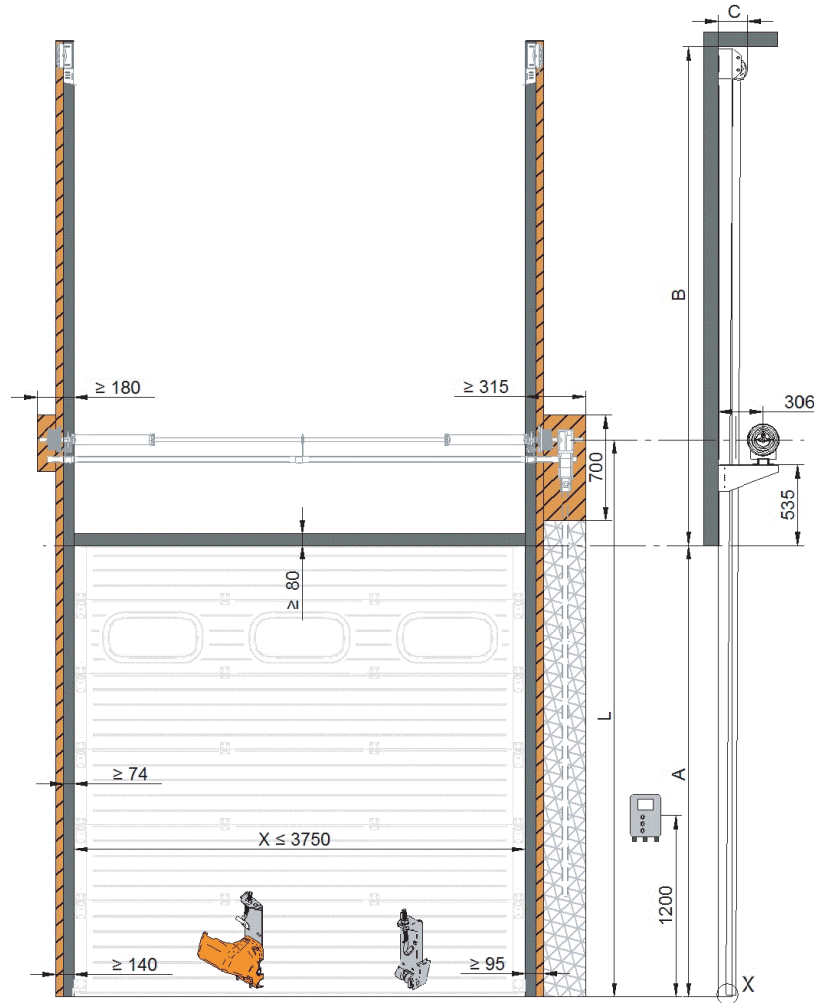
A	Cabledrum			P	B	L
	mm	Shaft	mm			
≤ 3300	3115	1	$\varnothing 214,0$	≤ 386	A + 420	2 * A + 215
≤ 5500	3116	1	$\varnothing 276,2$	≤ 500	A + 420	2 * A + 257
≤ 5500	3117*	1 1/4	$\varnothing 276,2$	≤ 500	A + 420	2 * A + 257
≤ 8500	3118	1	$\varnothing 341,5$	≤ 850	A + 510	2 * A + 290
≤ 8500	3119*	1 1/4	$\varnothing 341,5$	≤ 850	A + 510	2 * A + 290
* 1 1/4 inch shaft door surface $\geq 28 \text{ m}^2$						



- Free room when chain
- Necessary mounting surface
- Free room for industrial motor / cablebreak device / adjustable bottom consoles

C	Free mounting depth / void	= Panel thickness + 173 + (0,06 x A)
B	Free headroom	= A + 420
P	Door weight	
X	Daylight width	
A	Daylight height	
L	Centre shaft	

A	Cabledrum			P	L
	Shaft				
mm	Inch	mm	kg	mm	
≤ 3300	3115	1	Ø 214,0	≤ 386	A + 1000
≤ 5500	3116	1	Ø 276,2	≤ 500	A + 1030
≤ 5500	3117*	1¼	Ø 276,2	≤ 500	A + 1030
≤ 8500	3118	1	Ø 341,5	≤ 850	A + 1070
≤ 8500	3119*	1¼	Ø 341,5	≤ 850	A + 1070
* 1¼ inch shaft door surface ≥ 28 m²					
- Tube / shaft length = daylight width + 600					



C	Free mounting depth / void	≥ 210 mm
B	Free headroom	$= A + 500$ mm
P	Door weight	
X	Daylight width	
A	Daylight height	
L	Centre shaft	

Length		
Tube (60*40*2)	$X + 340$ mm	$X + 340$ mm
Shaft	$X + 340$ mm	$X + 485$ mm

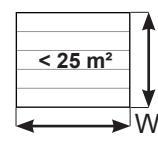
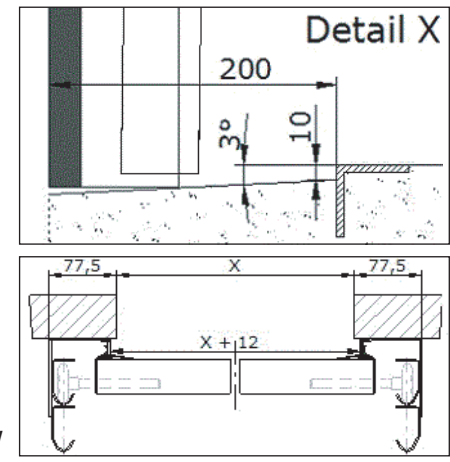
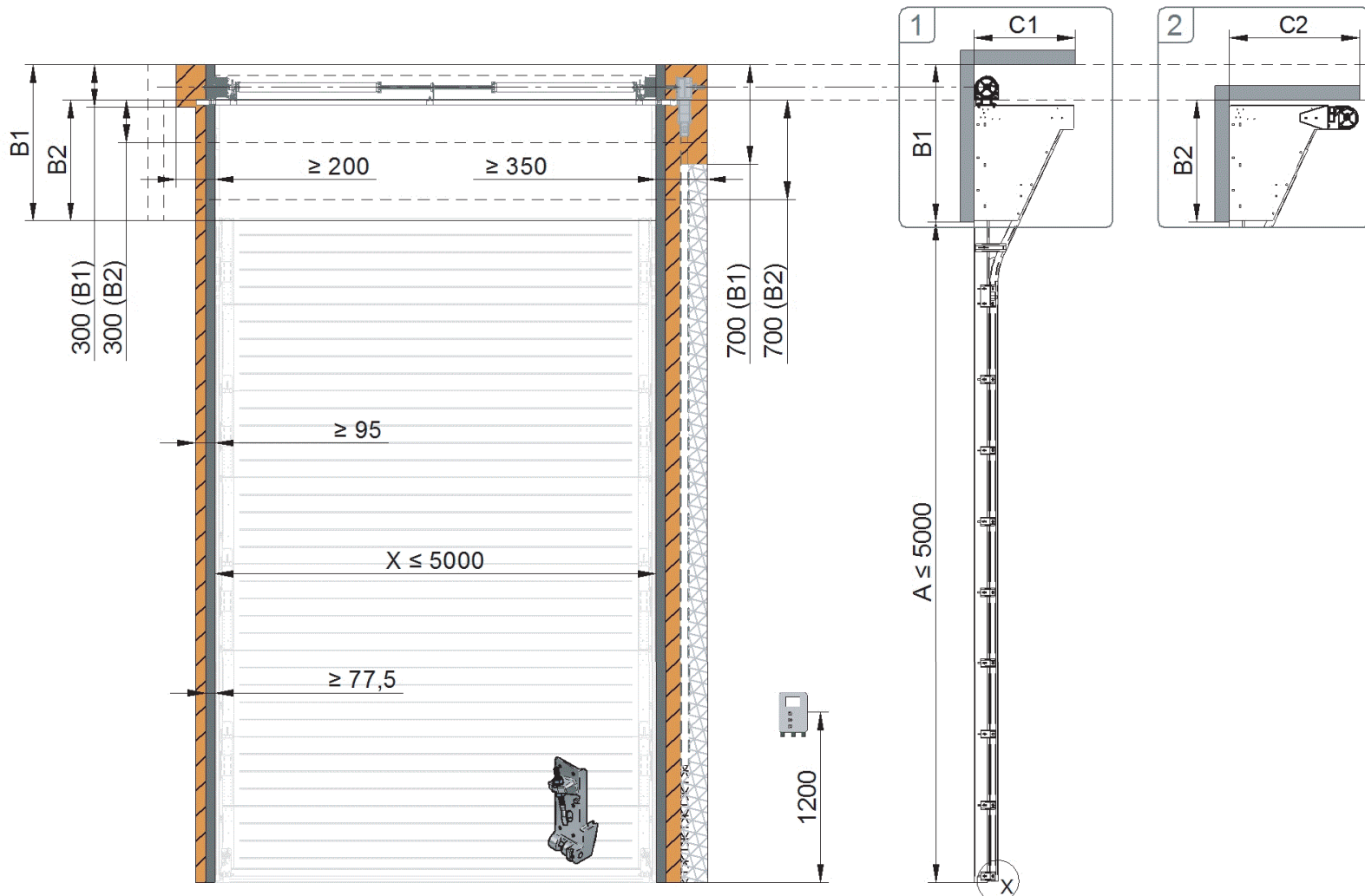
A	Cabledrum			P	C	L
			Shaft			
mm		mm	Inch	kg	mm	mm
≤ 3300	3115	$\varnothing 214,0$	1	≤ 386	≥ 300	$A + 705$
≤ 4000	3116	$\varnothing 276,2$	1	≤ 500	≥ 300	$A + 730$

- Free room when chain
- Necessary mounting surface
- Free room for industrial motor / cablebreak device / adjustable bottom consoles

HARDWARE A40 CUBE

1114

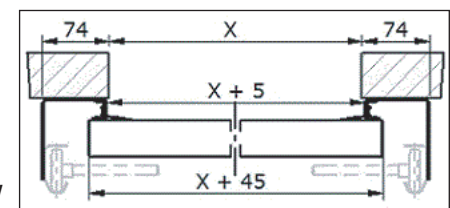
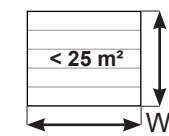
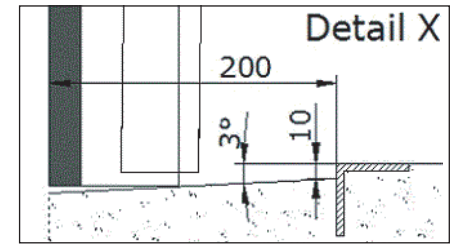
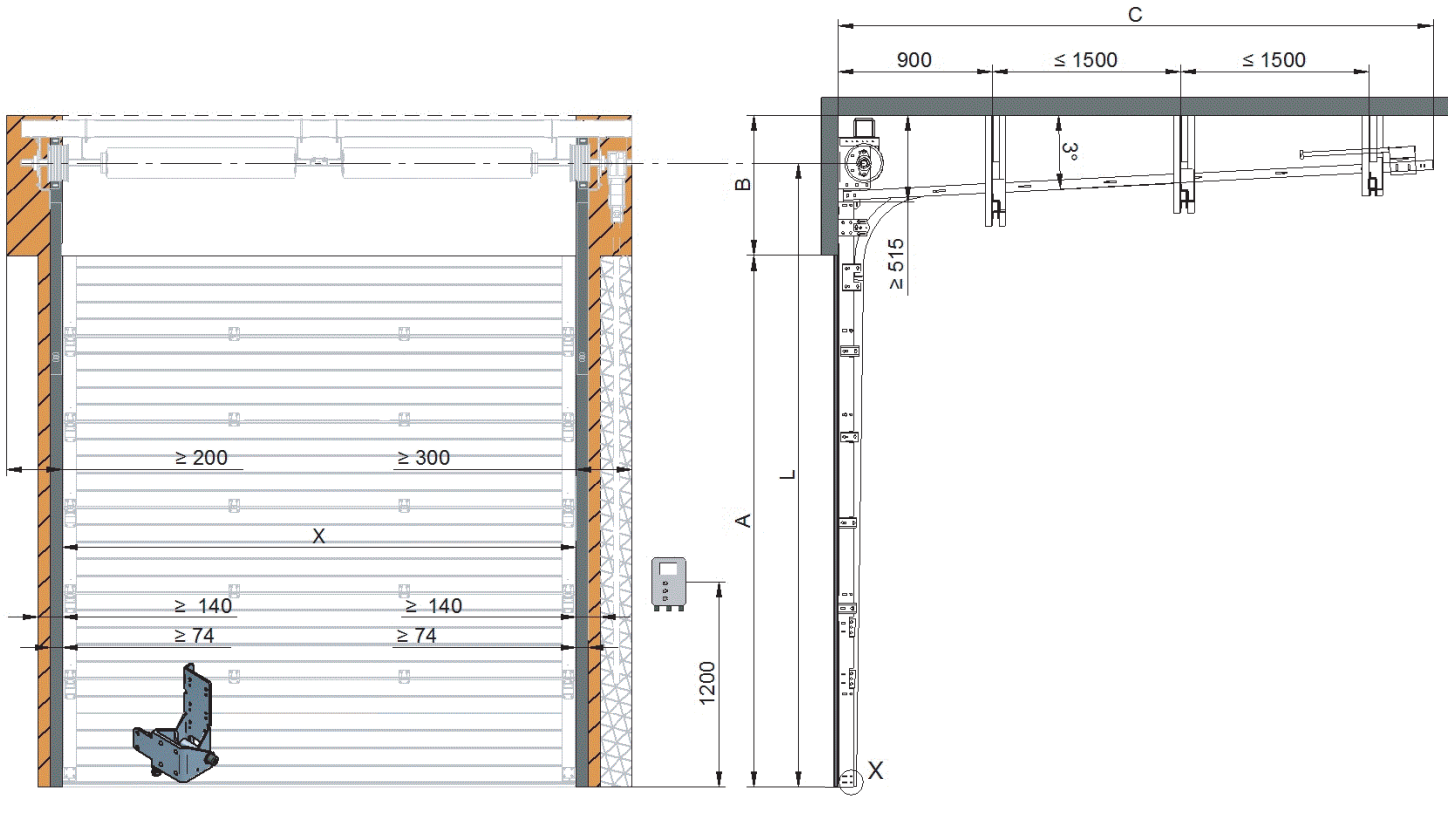
17



- Free room when chain
- Necessary mounting surface
- Free room for industrial motor / cablebreak device / adjustable bottom consoles

B 1	≥ 1100 mm
B 2	≥ 850 mm
C 1	≥ 750 mm
C 2	≥ 1000 mm
P	Door weight
X	Daylight width
A	Daylight height

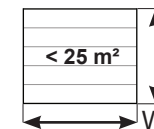
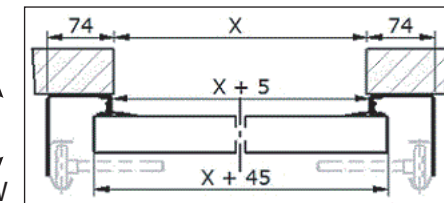
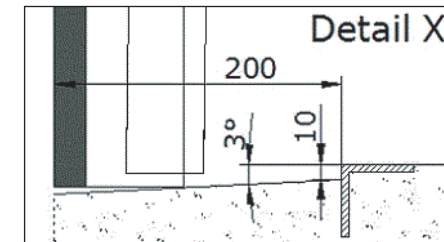
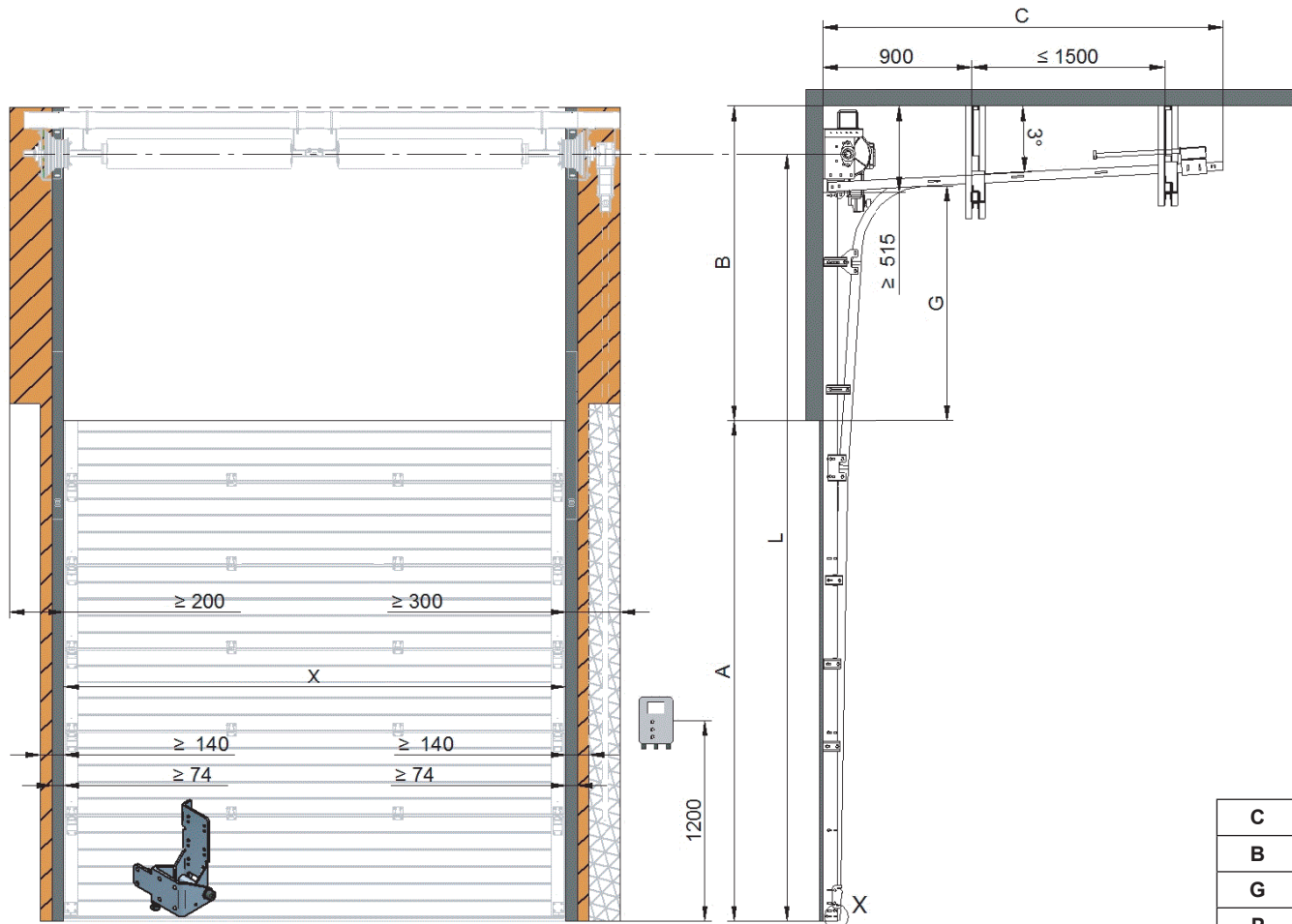
A	Cabledrum			P
	Shaft			
mm	Inch	mm	kg	
≤ 3360	3102	1	$\varnothing 121,6$	295
≤ 5000	3103	1	$\varnothing 152,4$	320



- Free room when chain
- Necessary mounting surface
- Free room for industrial motor / cablebreak device / adjustable bottom consoles

C	Free mounting depth / void	= A + 650
B	Free headroom	= 830
P	Door weight	
X	Daylight width	= ≤ 5000
A	Daylight height	= ≤ 5000
L	Centre shaft	= A + 545

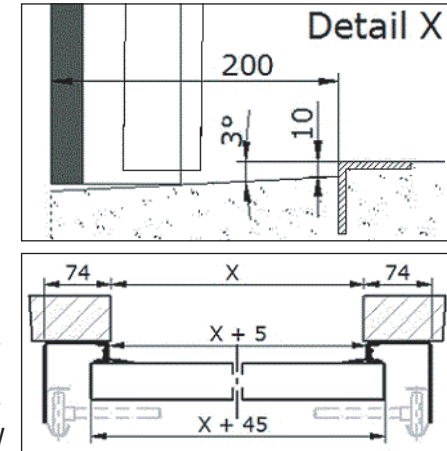
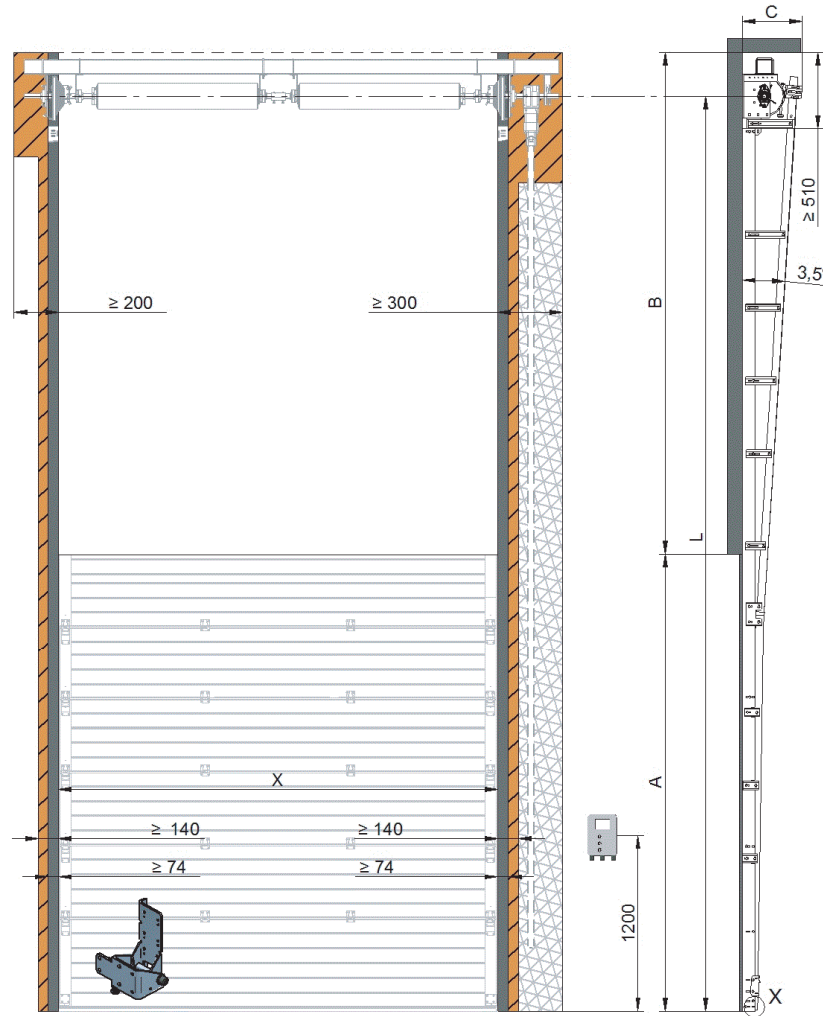
A	Cabledrum			P
		Shaft		
mm		Inch	mm	kg
≤ 5000	3105	1¼	Ø 228,6	≤ 450



- Free room when chain
- Necessary mounting surface
- Free room for industrial motor / cablebreak device / adjustable bottom consoles

C	Free mounting depth / void	= $A - G + 1200$
B	Free headroom	= $G + 480$
G	High lift	Min. = 350
P	Door weight	
X	Daylight width	= ≤ 5000
A	Daylight height	= ≤ 5000
L	Centre shaft	= $A + G + 195$

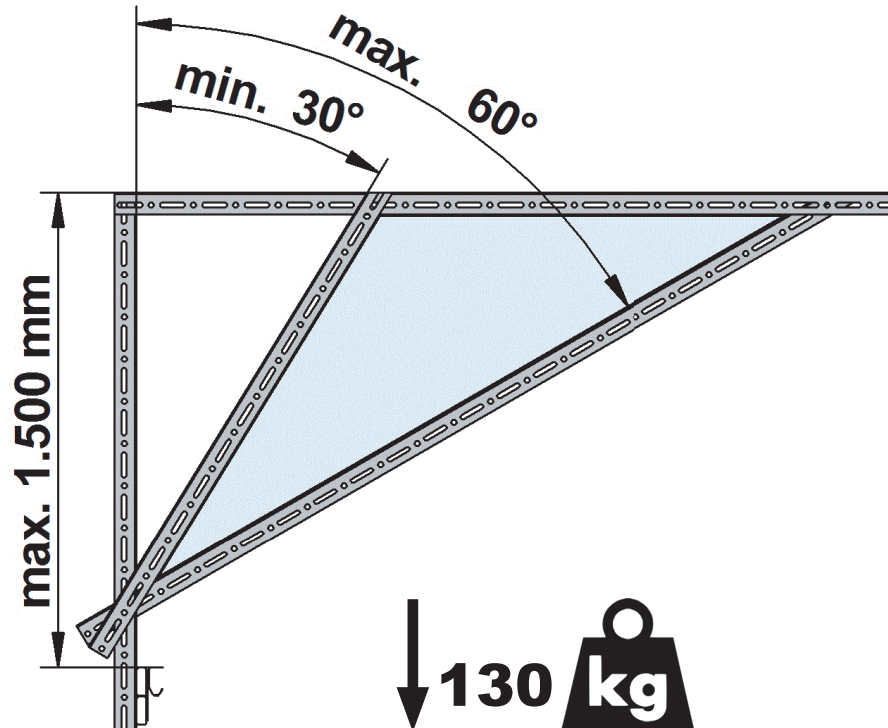
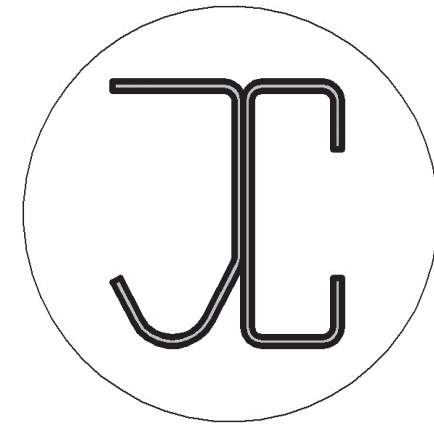
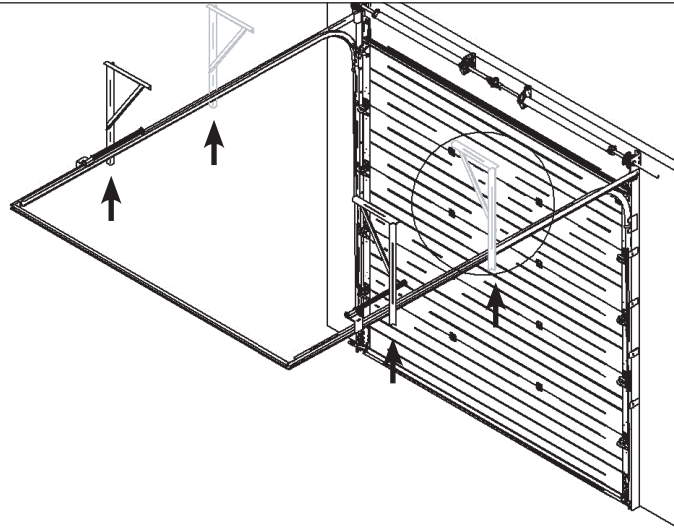
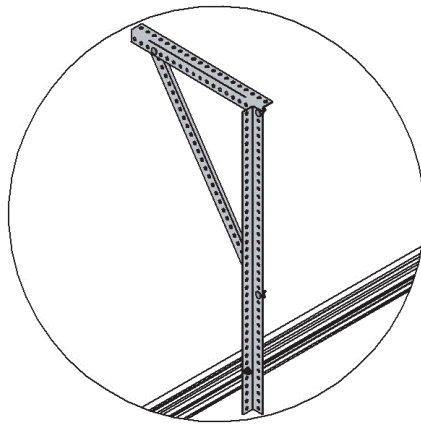
A	Cabledrum				P
			Shaft		
mm		mm	Inch	mm	kg
≤ 5000	3111	$G \leq 4100$	1¼	$\text{Ø } 279,4$	≤ 450



- Free room when chain
- Necessary mounting surface
- Free room for industrial motor / cablebreak device / adjustable bottom consoles

C	Free mounting depth / void	= Panel thickness + 173 + (0,06 x A)
B	Free headroom	= A + 550
P	Door weight	
X	Daylight width	= ≤ 5000
A	Daylight height	= ≤ 5000
L	Centre shaft	= (2 x A) + 265

A	Cabledrum			P
		Shaft		
mm		Inch	mm	kg
≤ 5000	3119	1¼	Ø 341,5	≤ 450



130 kg HOR = min. 2x (1xL - 1xR)				
HOR. rail	2.000mm	-	3.500mm	= min. 2 x (1xL - 1xR)
	3.501mm	-	6.500mm	= min. 4 x (2xL - 2xR)
	6.501mm	-	9.500mm	= min. 6 x (3xL - 3xR)